



- 100W | 150W | 200W
- 光效高, 显色好, 防眩光。
- ADC12压铸铝, 防腐喷粉处理。
- 安装便捷、安全。
- 60 / 90 / 120 发光角度。

适用场合:

广泛应用于仓库、机场、车间、码头、收费站、室内体育馆等。

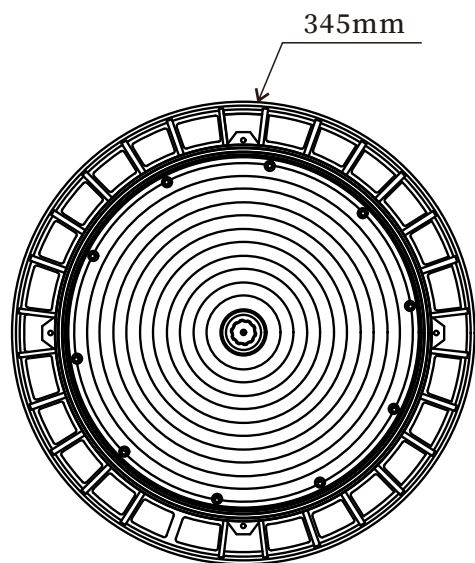
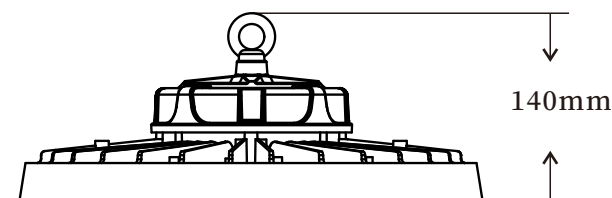
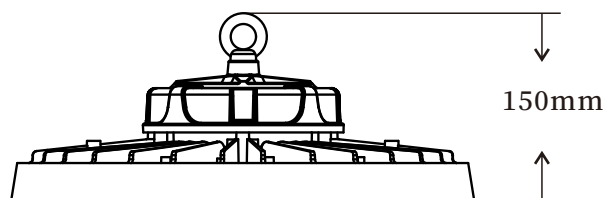
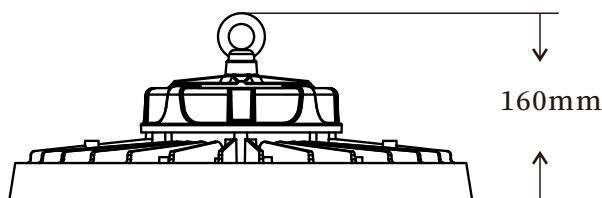
UFO-07

www.leihualed.com

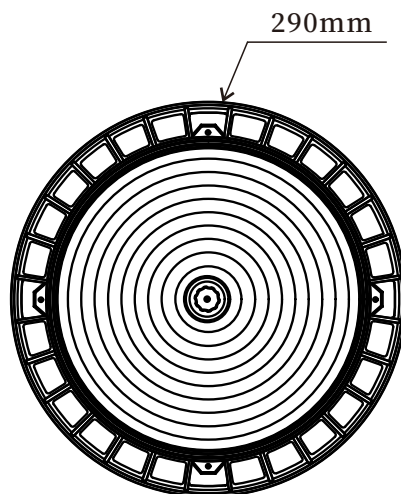
广东省东莞市大岭镇杨屋大兴路248号2栋703

产品型号	LH-UFO-W100-07	LH-UFO-W150-07	LH-UFO-W200-07
输入功率	100W	150W	200W
输入电压 (V)	100-277V/220-240VAC		
输入频率	50/60Hz		
功率因数	≥ 0.95		
电源类型	非隔离 Non isolated		
总谐波失真	<20%		
纹波电流	<8%		
电涌保护	20/10KV(选装)		
灯珠类型	飞利浦 / 欧司朗 (2835)		
色温	3000-6000K		
显色指数	80/70Ra		
发光角度	60° / 90° / 120°		
配件	可定制/光感/调光/智能控制		
灯体材质&颜色	ADC12 铝合金& RAL9007		
扩散罩材质	PC		
IP 等级	IP65		
Ik 等级	IK08		
灯具光效 (Lm/W)	150Lm/W±10%		
净重 (kg)	1.60kgs	2.10kgs	2.80kgs
毛重 (kg)	2.30kgs	3.00kgs	3.60kgs
产品尺寸 (mm)	235*235*140mm	290*290*150mm	345*345*160mm
装箱尺寸/支数	26*26*14cm / 1pc	32*32*15cm / 1pc	36*36*16cm / 1pc

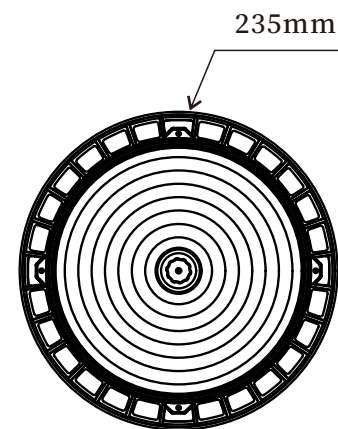
200W/150W/100W 尺寸图



200W



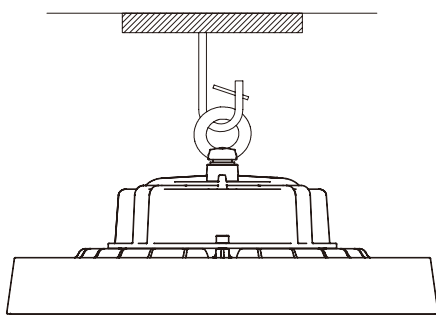
150W



100W

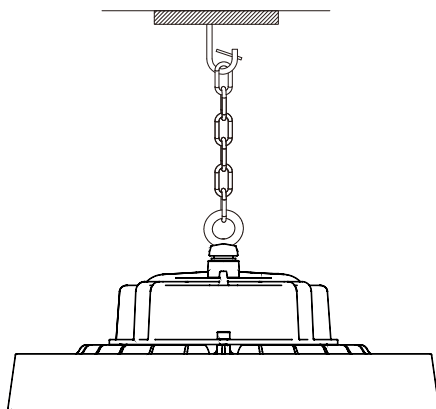
安装方式：(入墙吊勾客户自备)

1.吊环式安装



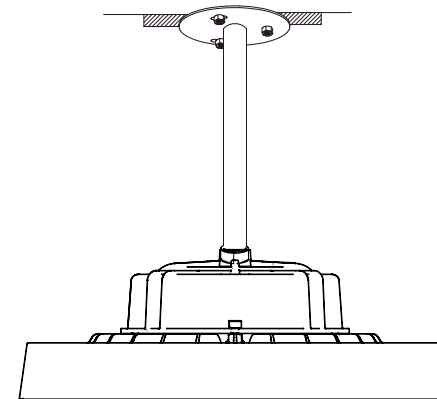
2.吊链式安装

(链条不随灯配备)



3.吊杆式安装

(M10螺杆不随灯配备)



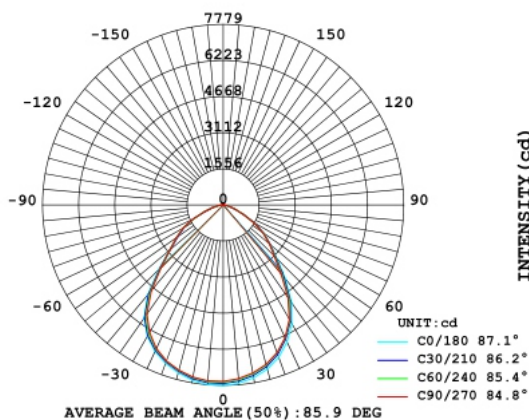
LUMINAIRE PHOTOMETRIC TEST REPORT

Report number:

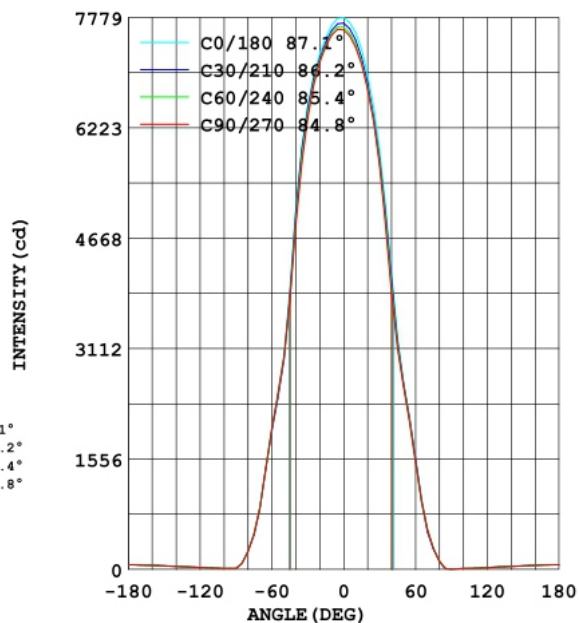
MANUFACTURER:	Address:	
NAME: LH-UFO-W100-07	TYPE:	WEIGHT:
SPECIFICATION: 100W	DIMENSION:	SERIAL No.:

DATA OF LAMP		Imax (cd)	7779	S/MH (C0/180)	1.24
MODEL	2835-160pcs	EFFICIENCY (%)	100.0	S/MH (C90/270)	1.24
NOMINAL POWER (W)	102	TOTAL FLUX (lm)	15767	Voltage (V)	217.1
RATED VOLTAGE (V)	218	EFFICIENCY (lm/W)	158.0	Current (A)	0.475
NOMINAL FLUX (lm)	15767.1	η up (%)	1.2	Power (W)	99.82
LAMPS QUANTITY	1	η down (%)	98.8	Power Factor (PF)	0.967
TEST VOLTAGE (V)	217.1	Effective Flux (lm)	14947.6	EEL	0.091

LUMINOUS INTENSITY DISTRIBUTION



LUMINOUS INTENSITY DISTRIBUTION

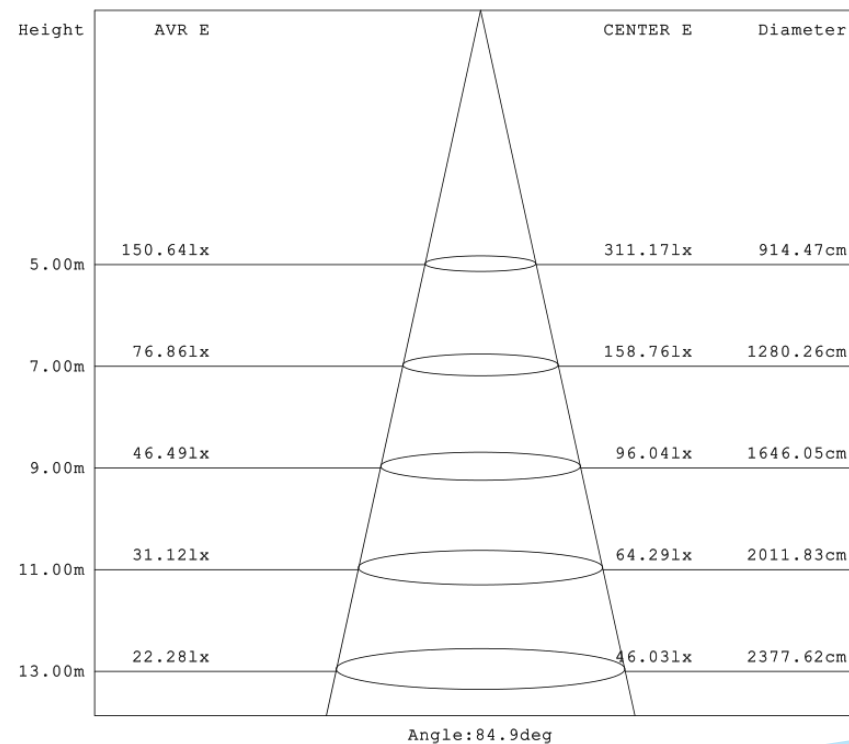


100W光照参数

AVERAGE AND CENTER E Figure

Report number:

MANUFACTURER:	Address:	
NAME: LH-UFO-W100-07	TYPE:	WEIGHT:
SPECIFICATION: 100W	DIMENSION:	SERIAL No.:



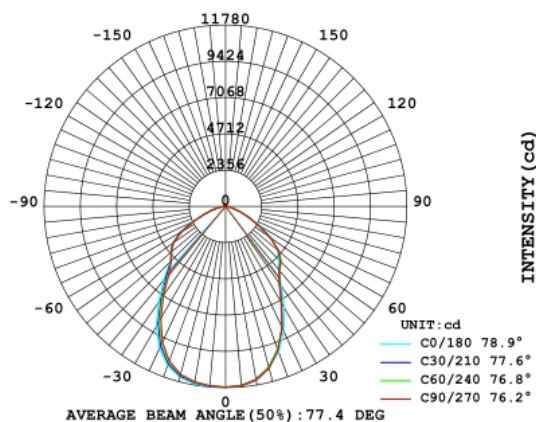
LUMINAIRE PHOTOMETRIC TEST REPORT

Report number:

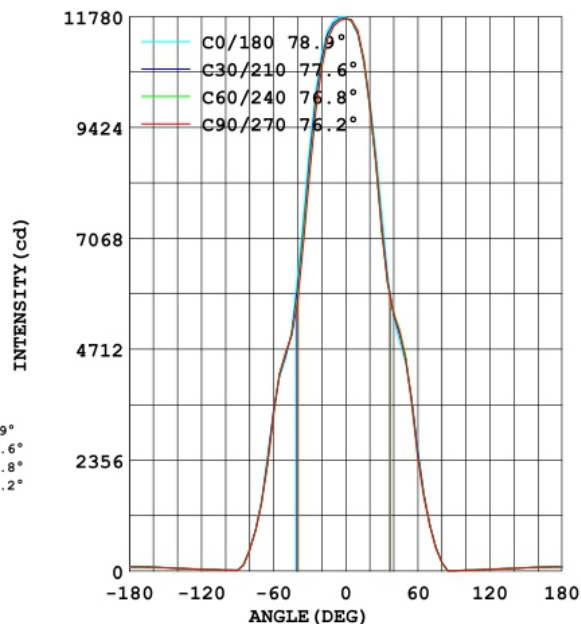
MANUFACTURER:	Address:	
NAME: LH-UFO-W150-07	TYPE:	WEIGHT:
SPECIFICATION: 150W	DIMENSION:	SERIAL No.:

DATA OF LAMP		Imax (cd)	11780	S/MH (C0/180)	1.15
MODEL	2835-240pcs	EFFICIENCY (%)	100.0	S/MH (C90/270)	1.10
NOMINAL POWER (W)	150	TOTAL FLUX (lm)	23070	Voltage (V)	216.8
RATED VOLTAGE (V)	216	EFFICIENCY (lm/W)	156.6	Current (A)	0.696
NOMINAL FLUX (lm)	23070.0	η up (%)	1.2	Power (W)	147.3
LAMPS QUANTITY	1	η down (%)	98.8	Power Factor (PF)	0.975
TEST VOLTAGE (V)	216.9	Effective Flux (lm)	21943.7	EEL	0.091

LUMINOUS INTENSITY DISTRIBUTION



LUMINOUS INTENSITY DISTRIBUTION

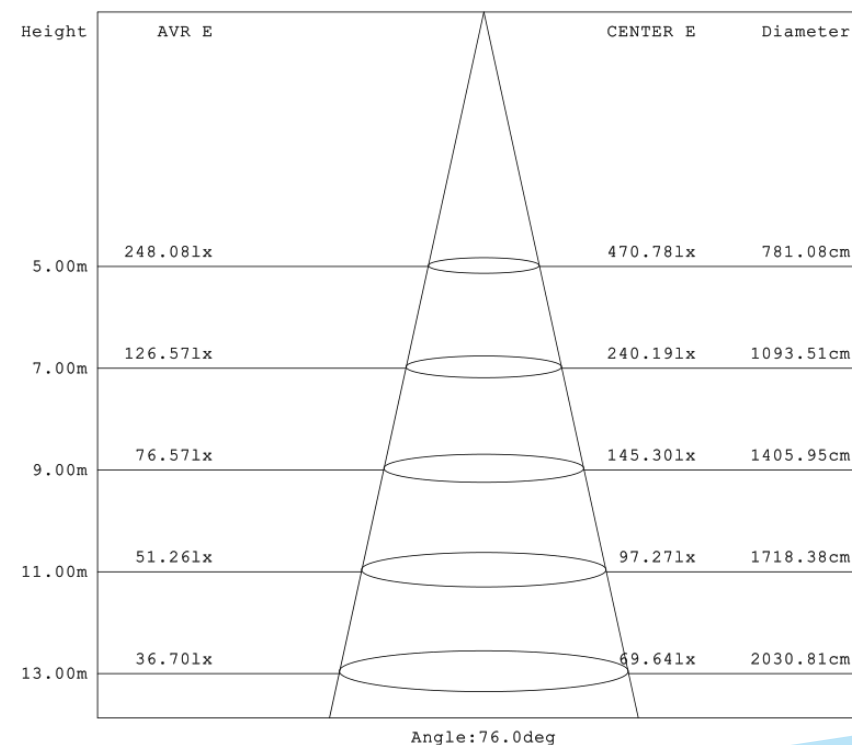


150W光照参数

AVERAGE AND CENTER E Figure

Report number:

MANUFACTURER:	Address:	
NAME: LH-UFO-W150-07	TYPE:	WEIGHT:
SPECIFICATION: 150W	DIMENSION:	SERIAL No.:



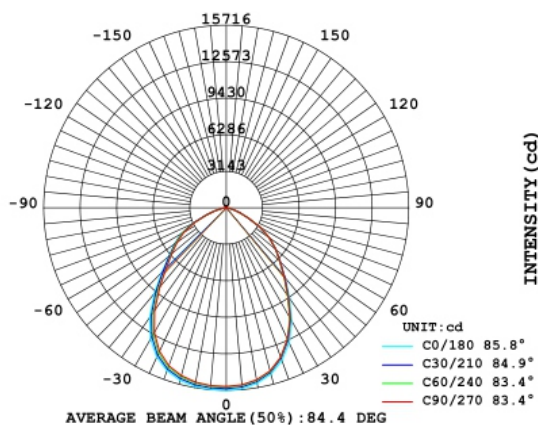
LUMINAIRE PHOTOMETRIC TEST REPORT

Report number:

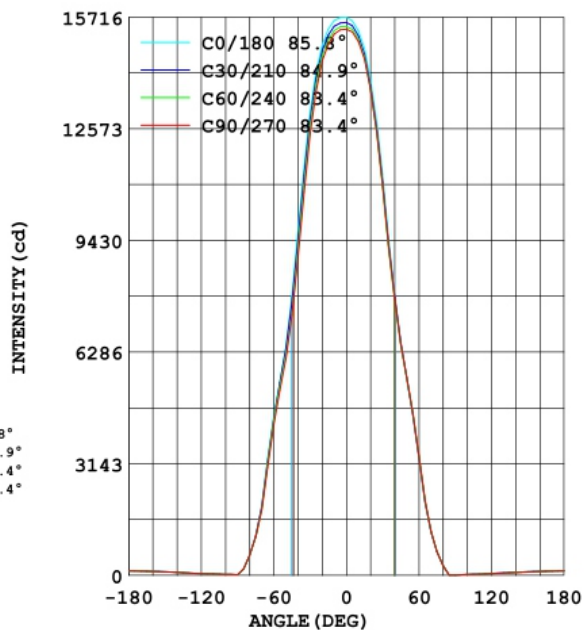
MANUFACTURER:	Address:	
NAME: LH-UFO-W200-07	TYPE:	WEIGHT:
SPECIFICATION: 200W	DIMENSION:	SERIAL No.:

DATA OF LAMP		Imax (cd)	15716	S/MH (C0/180)	1.23
MODEL	2835-320pcs	EFFICIENCY (%)	100.0	S/MH (C90/270)	1.20
NOMINAL POWER (W)	198	TOTAL FLUX (lm)	31894	Voltage (V)	216.6
RATED VOLTAGE (V)	216	EFFICIENCY (lm/W)	162.5	Current (A)	0.922
NOMINAL FLUX (lm)	31894.4	η up (%)	1.1	Power (W)	196.3
LAMPS QUANTITY	1	η down (%)	98.9	Power Factor (PF)	0.982
TEST VOLTAGE (V)	216.7	Effective Flux (lm)	30390.4	EEL	0.088

LUMINOUS INTENSITY DISTRIBUTION



LUMINOUS INTENSITY DISTRIBUTION



200W光照参数

AVERAGE AND CENTER E Figure

Report number:

MANUFACTURER:	Address:	
NAME: LH-UFO-W200-07	TYPE:	WEIGHT:
SPECIFICATION: 200W	DIMENSION:	SERIAL No.:

